

Active Suspension

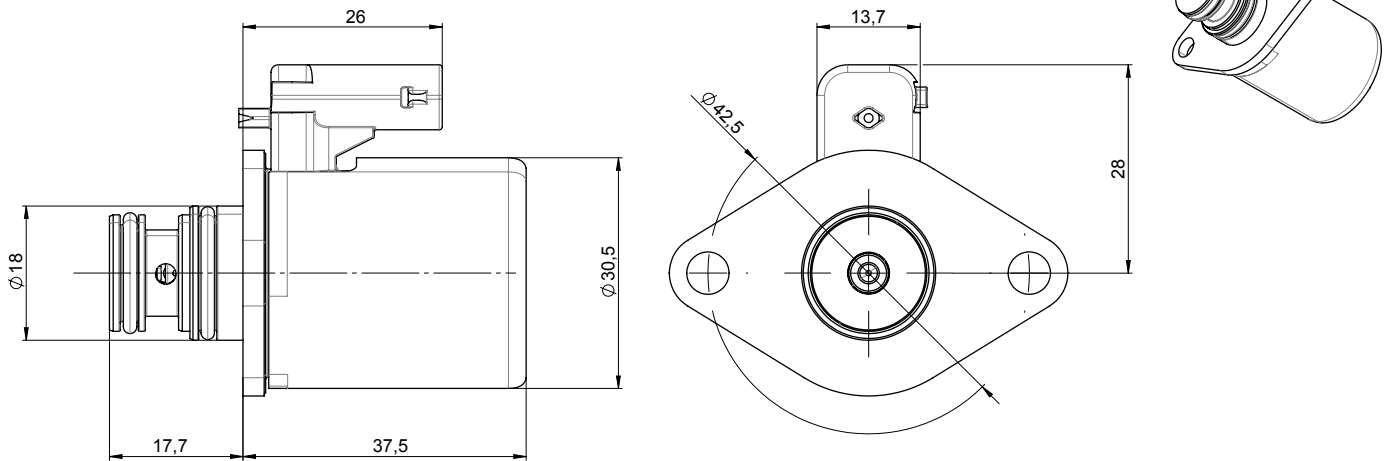
Seat Valve

Data Sheet



Dimensions

(1 : 1)



Technical Data

Supply pressure (P)	0 to 60 bar (>150 bar burst)
Control pressure	0 to 60 bar
Response time	< 50 ms
Flow @ $\Delta P = 30$ bar	- >1.0 L/min (P->A)
Flow @ $\Delta P = 30$ bar	- >1.0 L/min (A->P)
Leakage (P = 60 bar)	< 0.10 mL/min
Nominal voltage	9 - 18 V
Coil resistance @ 20 °C	18 Ω \pm 0.65
Temperature range	-40 °C to +150 °C

