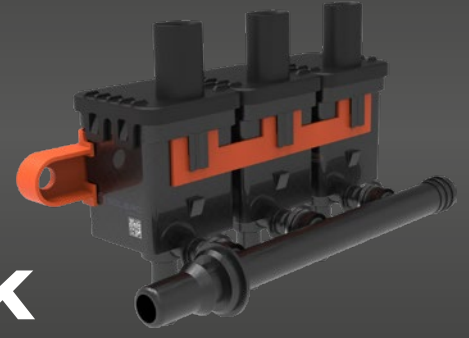


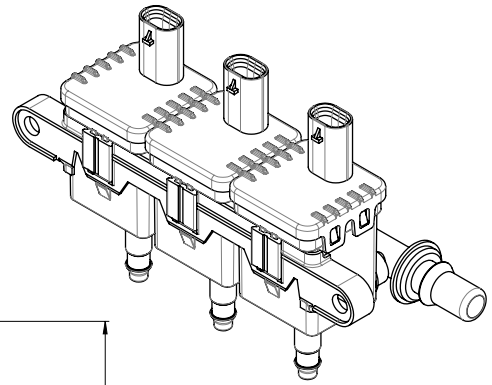
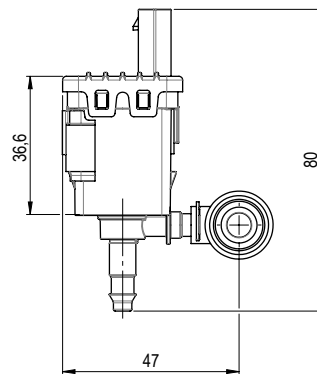
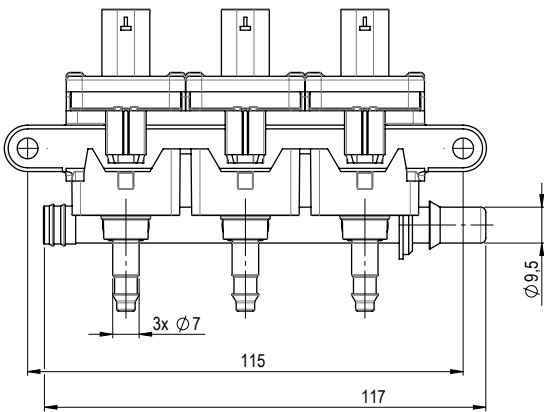
Sensor Cleaning

SCV22 | 3-Valve Block

Data Sheet



Dimensions



Technical Data

Valve type	Normally close (NC)
Max. working pressure	6.2 bar ± 0.2 bar
Burst pressure	9 bar
Flow	1,5 l/min @ Δp = 0.5 bar @ 20 °C (water) 110 NI/min @ Δp 0.75 bar / 4.7 bar abs. (air)
Leakage	≤ 3 ccm / 24 h for water
Voltage range	9 – 24 V
Current / DC by customer	Peak / Hold ≥ 2.5 A (50 ms) / 1.5 A
Noise component	≤ 55 dB(A) filled with water, test tbd
Resistance	2 Ω
Responsetime on/off	≤ 50 ms (worst case)
Temperature range	-40 °C to +85 °C
Operating fluid	Water / Ethanol e.g. 1:1 Air
Durability	Switching cycles = 10 Mio. (planned to reach 20 Mio.)
Protection class	>IP65
Dimensions	Overall: approx. H 74.4 mm / W 30.2 mm / D 30.4 mm × X valves Pitch distance: approx. 31 mm
Weight (component) Weight (copper)	≈ < 95 g × X valves > 25 g × X valves
Modularity	Stackable

