

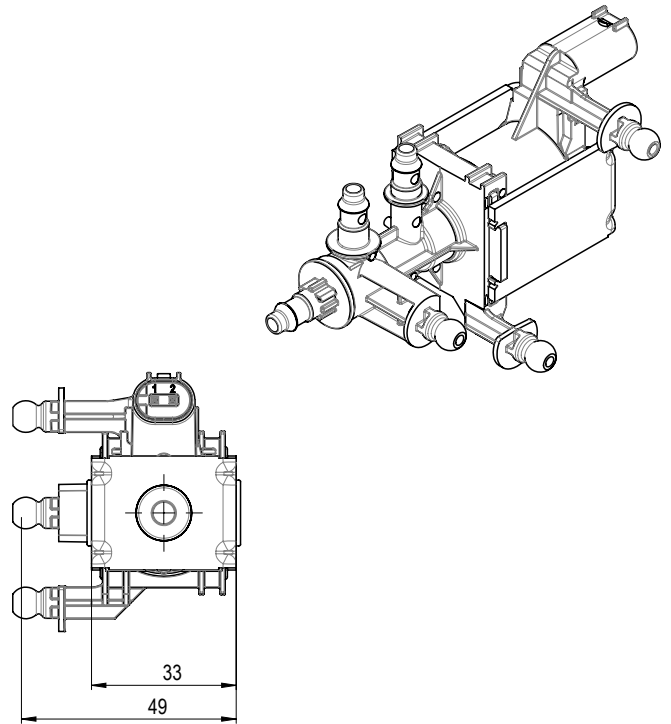
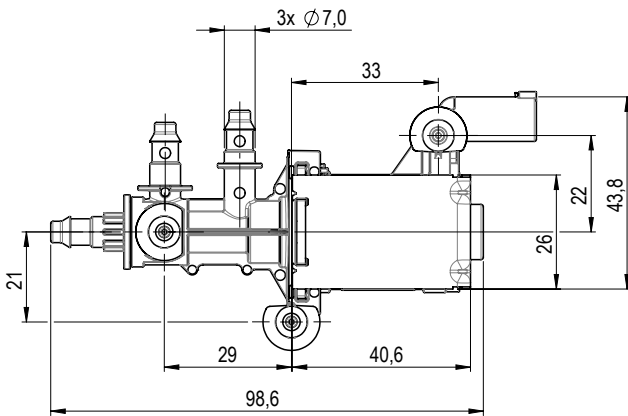
Sensor Cleaning

# SCV32

## Data Sheet



### Dimensions



# Technical Data

<b>Valve type</b>	3/2 solenoid valve
<b>Working pressure</b>	6.2 bar ± 0.2 bar
<b>Burst pressure</b>	> 9 bar
<b>Flow</b>	1.5 l/min @ $\Delta p = 0.5$ bar @ 20 °C
<b>Leakage</b>	0.5 ml in 24 h with 1 m water column
<b>Voltage range</b>	9 – 16 V, nominal 12 V
<b>Current / DC by customer</b>	Max. 2.5 A
<b>Noise component</b>	≤ 52 dB(A) filled with water
<b>Resistance</b>	8.9 $\Omega$
<b>Responsetime on/off</b>	≤ 50 ms (worst case)
<b>Temperature range</b>	-40 °C to +80 °C
<b>Operating fluid</b>	Water / Ethanol e.g. 1:1
<b>Durability</b>	Switching cycles = 80,000
<b>Protection class</b>	IP6K4
<b>Dimensions</b>	Overall: approx. L 99 mm / W 44 mm / D 33 mm (without connector)
<b>Weight (component)</b>	≈ 160 g
<b>Weight (copper)</b>	> 35 g

